

Freezer Label

Freezer Label 2.2”

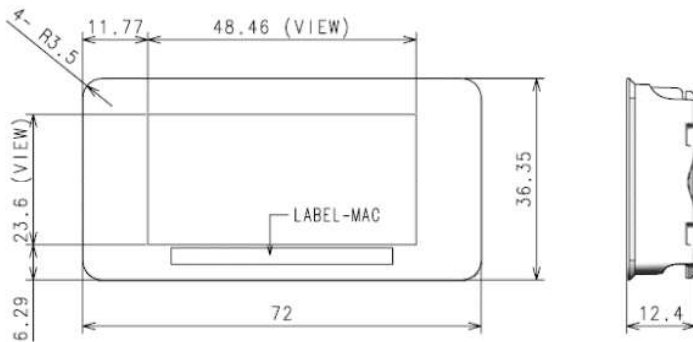


2.4GHz: (B/W)ESLGM022XX15F

Exemplary Picture



Mechanical Drawings



Parameter	Unit	Specifications
Outer Dimension	mm/ inch	72 x 36.35 x 12.4 mm / 2.83 x 1.43 x 0.48 inch
Weight	g	35.60
Case Color	-	White
Display Technology	-	Full graphic E-Ink display
Active Display Area	mm/ inch	48.46 x 23.60 mm / 1.90 x 0.92 inch
Display Resolution	Pixel	111 dpi (212 x 104)
Display Color	-	B/W
Battery	-	CR2450 * 2EA
Estimated Battery Life	Year	1.5 Years @ Room Temperature (1 update/Day)
Communication Protocol	-	IEEE802.15.4, 2.4GHz
Operating Temperature	°C/°F	-23 ~ 0°C / -9.4 ~ 32°F
Storage Temperature	°C/°F	-23 ~ 40°C / -9.4 ~ 104°F
Wireless Connectivity	-	N/A
Multi-page	-	Up to 1 pages
Freezer	-	Yes

Freezer Label 2.9"

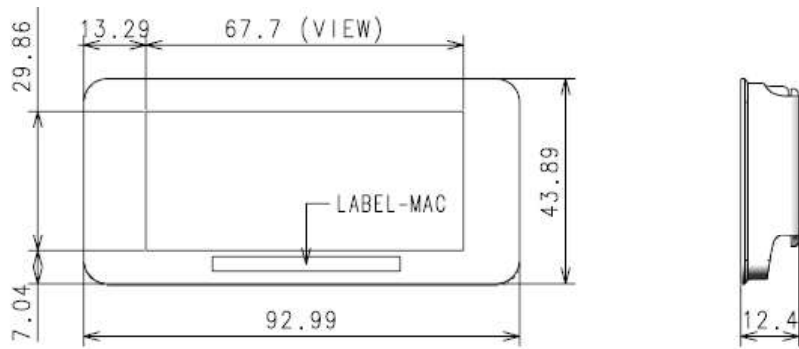


2.4GHz: (B/W)ESLGT029XX006

Exemplary Picture



Mechanical Drawings



Parameter	Unit	Specifications
Outer Dimension	mm/ inch	92.99 x 43.89 x 12.4 mm / 3.66 x 1.72 x 0.48 inch
Weight	g	47.8
Case Color	-	White
Display Technology	-	Full graphic E-Ink display
Active Display Area	mm/ inch	67.70 x 29.86 mm / 2.66 x 1.17 inch
Display Resolution	Pixel	112 dpi (296 x 128)
Display Color	-	B/W
Battery	-	CR2450 * 2EA
Estimated Battery Life	Year	1.5 Years @ Room Temperature (1 update/Day)
Communication Protocol	-	IEEE802.15.4, 2.4GHz
Operating Temperature	°C/°F	-23 ~ 0°C / -9.4 ~ 32°F
Storage Temperature	°C/°F	-23 ~ 40°C / -9.4 ~ 104°F
Wireless Connectivity	-	N/A
Multi-page	-	Up to 1 pages
Freezer	-	Yes