

POL

Commercial Tablet Solution



Commercial tablet solution of POL is specifically designed for retail industry which can provide comprehensive interaction and mobile experience for business application. POL maintains the features of simplicity and mobility while intergrates security and interactivity, transformsing tablets into powerful business tools.

POL818

Features and Benefits

- 1. Metal + plastic material ensures both robust security and comfort experience
- 2. Quick release of merchandise allows for a mobile use and a full product experience
- 3. Auto lock-down and activate after tablets inserting to the stand
- 4. Portrait and landscape 360° rotation even in lock down
Swivel rotation from 180° to 0 to 180°



POL818

Features and Benefits

5. Mechanical display stand (Alarm version can be customized)
6. Both enclosure version and 4-arm adjustable bracket version can be selected
7. Suitable for both desktop and wall mounting
8. No sensor, no false alarming trouble
9. LED indicator on stand, "blue" means connected and safe, "red" means USB remote unlocked tablet

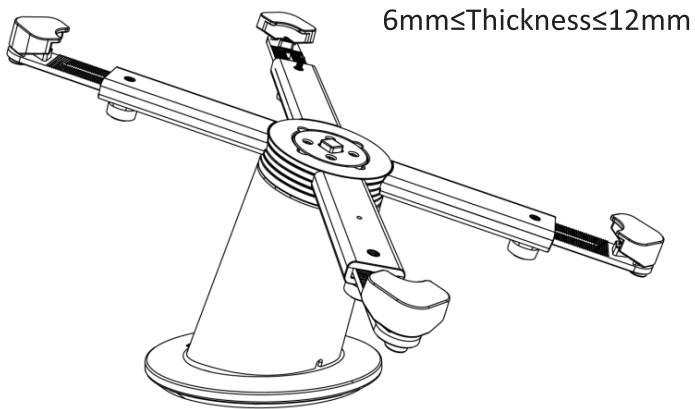


Application Display



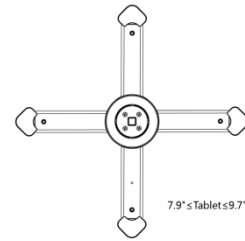
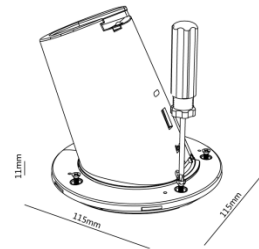
Specifications

◆ Display stand for commercial tablet



$6\text{mm} \leq \text{Thickness} \leq 12\text{mm}$

$7.9'' \leq \text{Tablet} \leq 9.7''$



$7.9'' \leq \text{Tablet} \leq 9.7''$

Product Ordering

Display stand

Model	Description	Color
POL818W	Four-arm display stand for commercial tablet	White

Tools

Model	Description	Color
KEY300B	USB remote control	Black
TOL350L	Mini security screwdrivers	Blue
Allenkey06	Security screwdrivers	Red

Accessories

Model	Description	Color
3M(POL718)B	Double sided tapes for base	Black
SR(POL123)	Silicone pad	Transparent