

LED Blinking Label

LED Blinking Label 1.6”

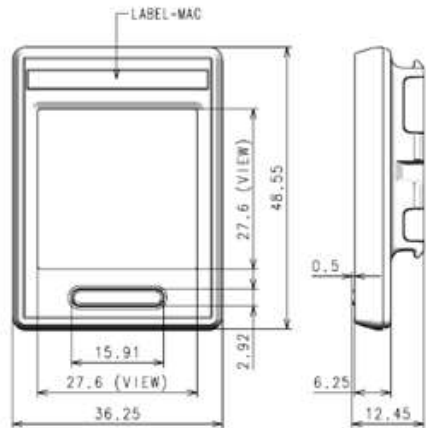


2.4GHz: (B/W)TGXGM016XX00C, (B/W/R)TGXGR016XX00C, (B/W/Y)TGXGY016XX00C
 Sub-Giga US: (B/W/R)EL016D2WRC/NUS Sub-Giga EU: (B/W/R)EL016D2WRC/EEU

Exemplary Picture



Mechanical Drawings



Parameter	Unit	Specifications
Outer Dimension	mm/ inch	36.25 x 48.55 x 12.45 mm / 1.42 x 1.91 x 0.49 inch
Weight	g	18.5
Case Color	-	White, Black and other color is available
Display Technology	-	Full graphic E-Ink display
Active Display Area	mm/ inch	27.60 x 27.60 mm / 1.08 x 1.08 inch
Display Resolution	Pixel	140dpi (152 x 152)
Display Color	-	B/W, B/W/R, B/W/Y
Battery	-	CR2450 * 1EA
Estimated Battery Life	Year	5 Years @ Room Temperature (1 updates/Day) (10 sets of LED blinking, 1 set = 10 sec)
Communication Protocol	-	IEEE802.15.4, 2.4GHz & Sub-Giga (868MHz)
Operating Temperature	°C/°F	0 ~ 30°C / 32 ~ 86°F
Storage Temperature	°C/°F	-23 ~ 40°C / -9.4 ~ 104°F
Wireless Connectivity	-	NFC
Multi-page	-	Up to 3 pages
LED color	-	Red, Green, Amber

LED Blinking Label 2.2”

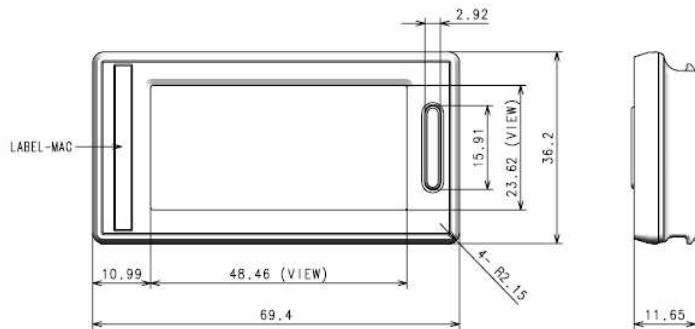


2.4GHz: (B/W)TGXGM022XX00C, (B/W/R)TGXGR022XX00C, (B/W/Y)TGXGY022XX00C
 Sub-Giga US: (B/W/R)EL022D2WRC/NUS Sub-Giga EU: (B/W/R)EL022D2WRC/EEU

Exemplary Picture



Mechanical Drawings



Parameter	Unit	Specifications
Outer Dimension	mm/ inch	69.4 x 36.2 x 11.65 mm / 2.73 x 1.42 x 0.45 inch
Weight	g	29.0
Case Color	-	White, Black and other color is available
Display Technology	-	Full graphic E-Ink display
Active Display Area	mm/ inch	48.46 x 23.62 mm / 1.90 x 0.92 inch
Display Resolution	Pixel	111 dpi (212 x 104)
Display Color	-	B/W, B/W/R, B/W/Y
Battery	-	CR2450 * 2EA
Estimated Battery Life	Year	5 Years @ Room Temperature (2 updates/Day) (10 sets of LED blinking, 1 set = 10 sec)
Communication Protocol	-	IEEE802.15.4, 2.4GHz & Sub-Giga (868MHz)
Operating Temperature	°C/°F	0 ~ 30°C / 32 ~ 86°F
Storage Temperature	°C/°F	-23 ~ 40°C / -9.4 ~ 104°F
Wireless Connectivity	-	NFC
Multi-page	-	Up to 3 pages
LED color	-	Red, Green, Amber

LED Blinking Label 2.6”

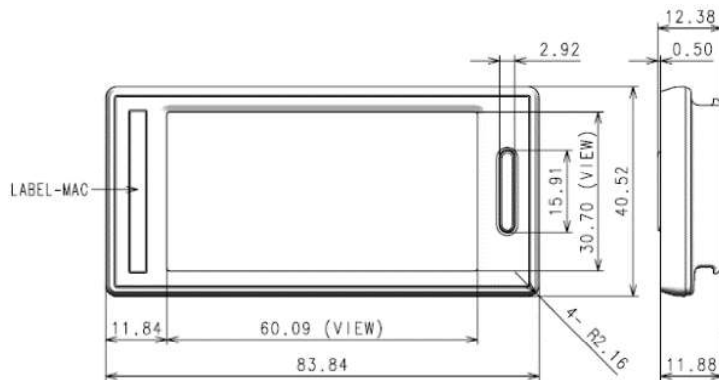


2.4GHz: (B/W)TGXGM026XX00C, (B/W/R)TGXGR026XX00C

Exemplary Picture



Mechanical Drawings



Parameter	Unit	Specifications
Outer Dimension	mm/ inch	83.84 x 40.52 x 11.88 mm / 3.26 x 1.59 x 0.46 inch
Weight	g	34
Case Color	-	White, Black and other color is available
Display Technology	-	Full graphic E-Ink display
Active Display Area	mm/ inch	60.09 x 30.70 mm / 2.36 x 1.20 inch
Display Resolution	Pixel	125 dpi (296 x 152)
Display Color	-	B/W, B/W/R
Battery	-	CR2450 * 2EA
Estimated Battery Life	Year	5 Years @ Room Temperature (2 updates/Day) (10 sets of LED blinking, 1 set = 10 sec)
Communication Protocol	-	IEEE802.15.4, 2.4GHz
Operating Temperature	°C/°F	0 ~ 30°C / 32 ~ 86°F
Storage Temperature	°C/°F	-23 ~ 40°C / -9.4 ~ 104°F
Wireless Connectivity	-	NFC
Multi-page	-	Up to 3 pages
LED color	-	Red, Green, Amber

LED Blinking Label 2.7”

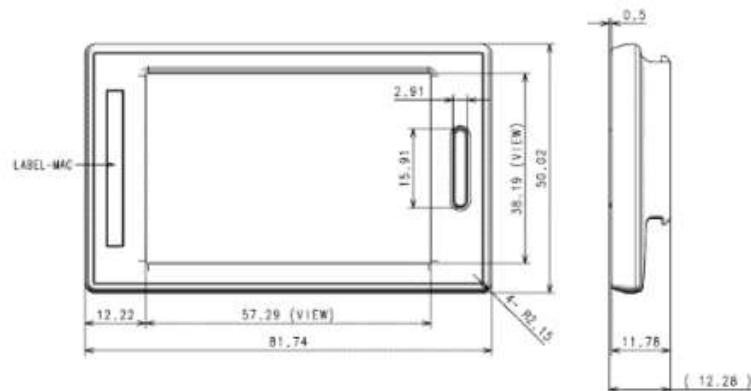


2.4GHz: (B/W/R)TGXGR027XX00C

Exemplary Picture



Mechanical Drawings



Parameter	Unit	Specifications
Outer Dimension	mm/ inch	81.74 x 50.02 x 12.28 mm / 3.21 x 1.96 x 0.48 inch
Weight	g	
Case Color	-	White, Black and other color is available
Display Technology	-	Full graphic E-Ink display
Active Display Area	mm/ inch	57.29 x 38.19 mm / 2.25 x 1.50 inch
Display Resolution	Pixel	117 dpi (264 x 176)
Display Color	-	B/W/R
Battery	-	CR2450 * 2EA
Estimated Battery Life	Year	5 Years @ Room Temperature (2 updates/Day) (10 sets of LED blinking, 1 set = 10 sec)
Communication Protocol	-	IEEE802.15.4, 2.4GHz
Operating Temperature	°C/°F	0 ~ 30°C / 32 ~ 86°F
Storage Temperature	°C/°F	-23 ~ 40°C / -9.4 ~ 104°F
Wireless Connectivity	-	NFC
Multi-page	-	Up to 3 pages
LED color	-	Red, Green, Amber

LED Blinking Label 2.9”

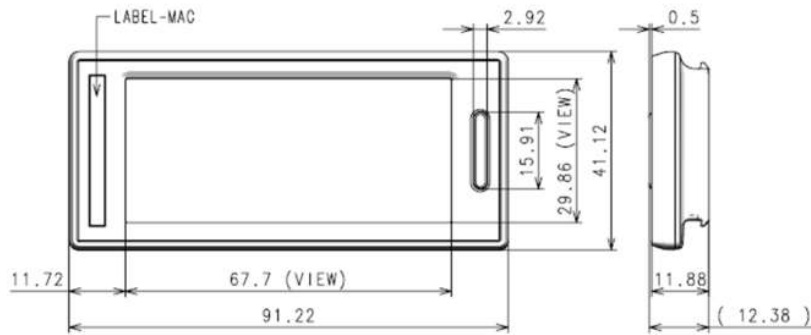


2.4GHz: (B/W)TGXGM029XX00C, (B/W/R)TGXGR029XX00C, (B/W/Y)TGXGY029XX00C
 Sub-Giga US: (B/W/R)EL029D2WRC/NUS Sub-Giga EU: (B/W/R)EL029D2WRC/EEU

Exemplary Picture



Mechanical Drawings



Parameter	Unit	Specifications
Outer Dimension	mm/ inch	91.22 x 41.12 x 12.38 mm / 3.59 x 1.61 x 0.48 inch
Weight	g	37.9
Case Color	-	White, Black and other color is available
Display Technology	-	Full graphic E-Ink display
Active Display Area	mm/ inch	67.70 x 29.86 mm / 2.66 x 1.17 inch
Display Resolution	Pixel	112 dpi (296 x 128)
Display Color	-	B/W, B/W/R, B/W/Y
Battery	-	CR2450 * 2EA
Estimated Battery Life	Year	5 Years @ Room Temperature (2 updates/Day) (10 sets of LED blinking, 1 set = 10 sec)
Communication Protocol	-	IEEE802.15.4, 2.4GHz & Sub-Giga (868MHz)
Operating Temperature	°C/°F	0 ~ 30°C / 32 ~ 86°F
Storage Temperature	°C/°F	-23 ~ 40°C / -9.4 ~ 104°F
Wireless Connectivity	-	NFC
Multi-page	-	Up to 3 pages
LED color	-	Yes

Freezer LED Blinking Label 2.9”

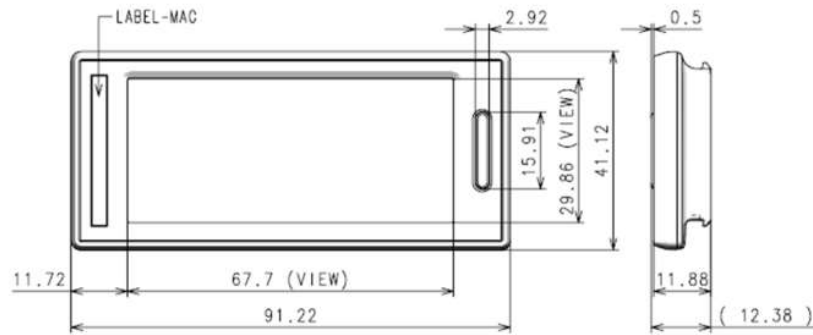


2.4GHz: (B/W)TGXGM029XX00F

Exemplary Picture



Mechanical Drawings



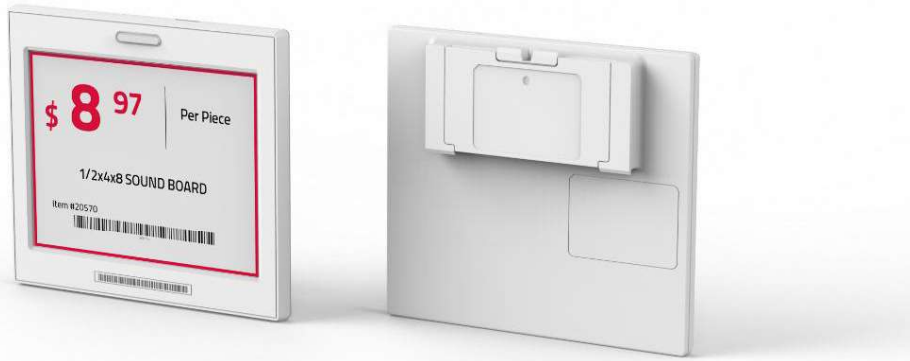
Parameter	Unit	Specifications
Outer Dimension	mm/ inch	91.22 x 41.12 x 12.38 mm / 3.59 x 1.61 x 0.48 inch
Weight	g	37.9
Case Color	-	White, Black and other color is available
Display Technology	-	Full graphic E-Ink display
Active Display Area	mm/ inch	67.70 x 29.86 mm / 2.66 x 1.17 inch
Display Resolution	Pixel	112 dpi (296 x 128)
Display Color	-	B/W, B/W/R, B/W/Y
Battery	-	CR2450 * 2EA
Estimated Battery Life	Year	1.5 Years @ Room Temperature (1 updates/Day) (5 sets of LED blinking, 1 set = 10 sec) Note: Freezer LED is not real-time
Communication Protocol	-	IEEE802.15.4, 2.4GHz
Operating Temperature	°C/°F	-23 ~ 0°C / -9.4 ~ 32°F
Storage Temperature	°C/°F	-23 ~ 40°C / -9.4 ~ 104°F
Wireless Connectivity	-	N/A
Multi-page	-	Up to 1 pages
LED color	-	Red, Green, Amber

LED Blinking Label 4.2”

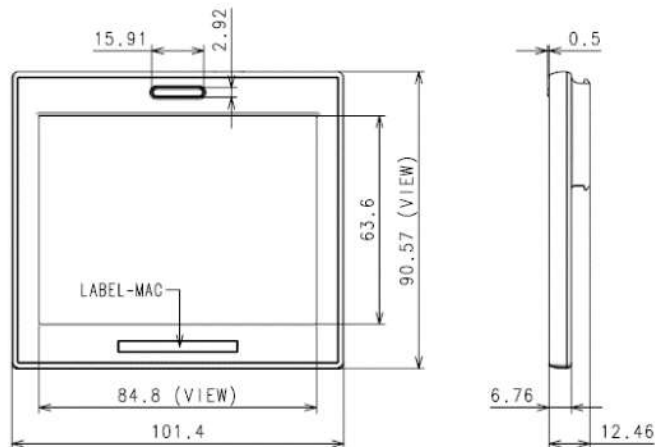


2.4GHz: (B/W)TGXGM042XX00C, (B/W/R)TGXGR042XX00C, (B/W/Y)TGXGY042XX00C
 Sub-Giga US: (B/W/R)EL042D2WRC/NUS Sub-Giga EU: (B/W/R)EL042D2WRC/EEU

Exemplary Picture



Mechanical Drawings



Parameter	Unit	Specifications
Outer Dimension	mm/ inch	101.40 x 90.57 x 12.46 mm / 3.99 x 3.56 x 0.49 inch
Weight	g	79.0
Case Color	-	White, Black and other color is available
Display Technology	-	Full graphic E-Ink display
Active Display Area	mm/ inch	84.80 x 63.60mm / 3.33 x 2.50 inch
Display Resolution	Pixel	120dpi (400 x 300)
Display Color	-	B/W, B/W/R, B/W/Y
Battery	-	CR2450 * 2EA
Estimated Battery Life	Year	5 Years @ Room Temperature (2 updates/Day) (10 sets of LED blinking, 1 set = 10 sec)
Communication Protocol	-	IEEE802.15.4, 2.4GHz & Sub-Giga (868MHz)
Operating Temperature	°C/°F	0 ~ 30°C / 32 ~ 86°F
Storage Temperature	°C/°F	-23 ~ 40°C / -9.4 ~ 104°F
Wireless Connectivity	-	NFC
Multi-page	-	Up to 3 pages
LED color	-	Red, Green, Amber

LED Blinking Label 6.0”

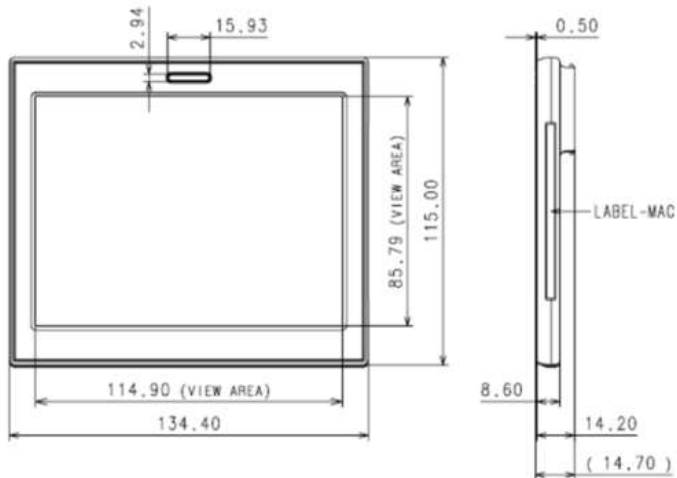


2.4GHz: (B/W)TGXGM060XX00C, (B/W/R)TGXGR060XX00C, (B/W/Y)TGXGY060XX00C
 Sub-Giga US: (B/W/R)EL060D2WRC/NUS Sub-Giga EU: (B/W/R)EL060D2WRC/EEU

Exemplary Picture



Mechanical Drawings



Parameter	Unit	Specifications
Outer Dimension	mm/ inch	134.4 x 115.0 x 14.20 mm / 5.29 x 4.52 x 0.55 inch
Weight	g	143.5
Case Color	-	White, Black and other color is available
Display Technology	-	Full graphic E-Ink display
Active Display Area	mm/ inch	114.9 x 85.79 mm / 4.52 x 3.37 inch
Display Resolution	Pixel	128 dpi (600 x 448)
Display Color	-	B/W, B/W/R, B/W/Y
Battery	-	CR2450 * 4EA
Estimated Battery Life	Year	5 Years @ Room Temperature (2 updates/Day) (10 sets of LED blinking, 1 set = 10 sec)
Communication Protocol	-	IEEE802.15.4, 2.4GHz & Sub-Giga (868MHz)
Operating Temperature	°C/°F	0 ~ 30°C / 32 ~ 86°F
Storage Temperature	°C/°F	-23 ~ 40°C / -9.4 ~ 104°F
Wireless Connectivity	-	NFC
Multi-page	-	Up to 3 pages
LED color	-	Red, Green, Amber

LED Blinking Label 7.5"

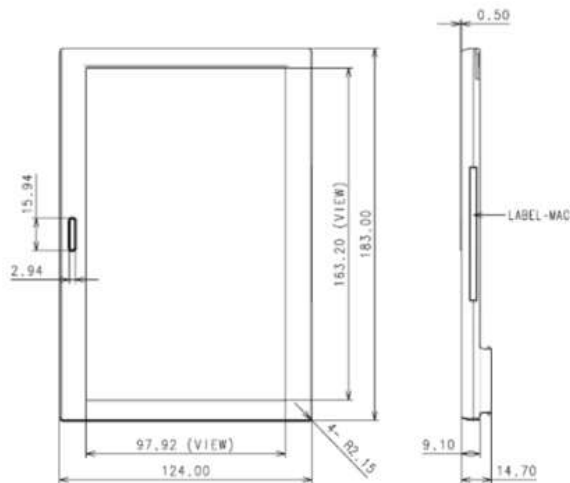


2.4GHz: (B/W)TGXGM075XX00C, (B/W/R)TGXGR075XX00C, (B/W/Y)TGXGY075XX00C
 Sub-Giga US: (B/W/R)EL075D2WRC/NUS Sub-Giga EU: (B/W/R)EL075D2WRC/EEU

Exemplary Picture



Mechanical Drawings



Parameter	Unit	Specifications
Outer Dimension	mm/ inch	183 x 124 x 14.70 mm / 7.20 x 4.88 x 0.57 inch
Weight	g	223.0
Case Color	-	White, Black and other color is available
Display Technology	-	Full graphic E-Ink display
Active Display Area	mm/ inch	163.20 x 97.92 mm / 6.42 x 3.85 inch
Display Resolution	Pixel	100 dpi (640 x 384)
Display Color	-	B/W, B/W/R, B/W/Y
Battery	-	CR2450 * 4EA
Estimated Battery Life	Year	5 Years @ Room Temperature (2 updates/Day) (10 sets of LED blinking, 1 set = 10 sec)
Communication Protocol	-	IEEE802.15.4, 2.4GHz & Sub-Giga (868MHz)
Operating Temperature	°C/°F	10 ~ 30°C / 50 ~ 86°F
Storage Temperature	°C/°F	-23 ~ 40°C / -9.4 ~ 104°F
Wireless Connectivity	-	NFC
Multi-page	-	Up to 3 pages
LED color	-	Red, Green, Amber