

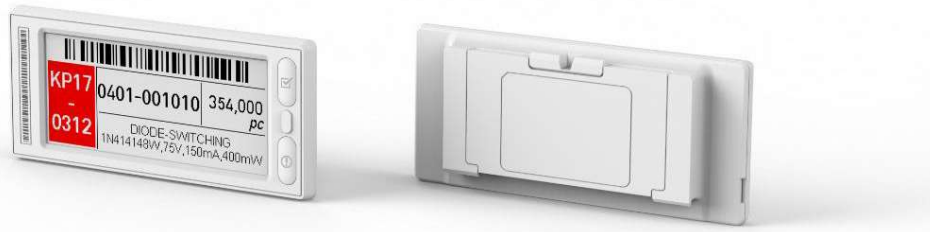
LED Button Label

LED Button Label 2.9”

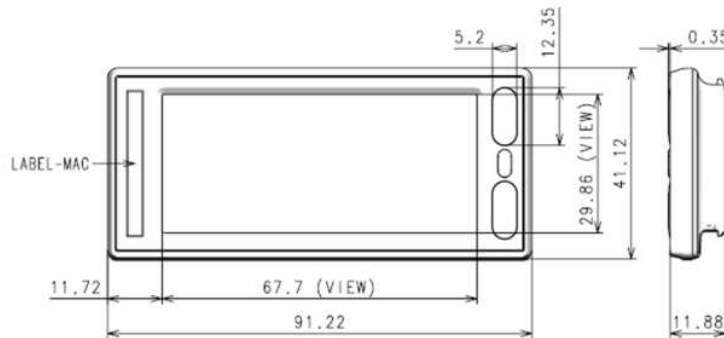


2.4GHz: (B/W)TGXGM029XX00A, (B/W/R)TGXGR029XX00A, (B/W/Y)TGXGY029XX00A
 Sub-Giga US: (B/W/R)EL029D2WRA/NUS Sub-Giga EU: (B/W/R)EL029D2WRA/EEU

Exemplary Picture



Mechanical Drawings



Parameter	Unit	Specifications
Outer Dimension	mm/ inch	91.22 x 41.12 x 12.38 mm / 3.59 x 1.61 x 0.48 inch
Weight	g	37.9
Case Color	-	White, Black and other color is available
Display Technology	-	Full graphic E-Ink Display
Active Display Area	mm/ inch	67.70 x 29.86 mm / 2.66 x 1.17 inch
Display Resolution	Pixel	112 dpi (296 x 128)
Display Color	-	B/W
Battery	-	CR2450 * 2EA
Estimated Battery Life	Year	5 Years @ Room Temperature (2 updates/Day) (10 sets of LED blinking, 1 set = 10 sec)
Communication Protocol	-	IEEE802.15.4, 2.4GHz & Sub-Giga (868MHz)
Operating Temperature	°C/°F	0 ~ 30°C / 32 ~ 86°F
Storage Temperature	°C/°F	-23 ~ 40°C / -9.4 ~ 104°F
Wireless Connectivity	-	N/A
Multi-page	-	Up to 3 pages
LED color	-	Red, Green, Amber

LED Button Label 4.2”

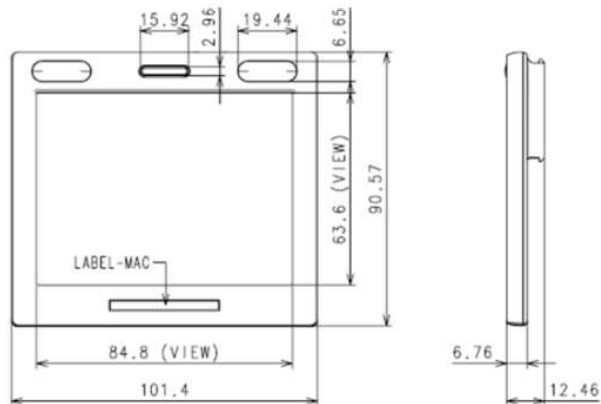


2.4GHz: (B/W)TGXGM042XX00A, (B/W/R)TGXGR042XX00A, (B/W/Y)TGXGY042XX00A
 Sub-Giga US: (B/W/R)EL042D2WRA/NUS Sub-Giga EU: (B/W/R)EL042D2WRA/EEU

Exemplary Picture



Mechanical Drawings



Parameter	Unit	Specifications
Outer Dimension	mm/ inch	101.40 x 90.57 x 12.46 mm / 3.99 x 3.56 x 0.49 inch
Weight	g	79.0
Case Color	-	White, Black and other color is available
Display Technology	-	Full graphic E-Ink Display
Active Display Area	mm/ inch	84.80 x 63.60 mm / 3.33 x 2.50 inch
Display Resolution	Pixel	120dpi (400 x 300)
Display Color	-	B/W, B/W/R, B/W/Y
Battery	-	CR2450 * 2EA
Estimated Battery Life	Year	5 Years @ Room Temperature (2 updates/Day) (10 sets of LED blinking, 1 set = 10 sec)
Communication Protocol	-	IEEE802.15.4, 2.4GHz & Sub-Giga (868MHz)
Operating Temperature	°C/°F	0 ~ 30°C / 32 ~ 86°F
Storage Temperature	°C/°F	-23 ~ 40°C / -9.4 ~ 104°F
Wireless Connectivity	-	NFC
Multi-page	-	Up to 3 pages
LED color	-	Red, Green, Amber